

PASS-THROUGH BARRIER WASHERS EXTRACTORS

DBW 70 ET2



EASY TOUCH 2

- User friendly and fully programmable 7" screen (29 preset programs)
- USB connection. PC software free of charge for programming, traceability, data analysis...
- 37 available languages,
- 8 dosing signals as standard.



OUTSTANDING FEATURES

- Automatic positioning of drum with brake,
- Ready to be connected to dosing pumps as standard,
- WET CLEANING, Traceability as standard,
- Double display,
- G factor 375.



ERGONOMICS

- Huge doors opening (DBW 35: drum 640 x 515 mm, vat 700 x 650 mm),
- Easy friendly drum opening with push button,
- Height of loading at 800 mm (door bottom).



CONNECTIVITY

- Remote communication ready as standard,
- Management of the laundry : equipped with RS-485 port for external management with Danube Software or others



EFFICIENCY

- Intelligent weighing system,
- Optimal loading: water and chemicals adapted to the load,
- High G force : Reduced residual moisture, reduced drying time
- Dual heating electric / steam model available.



EASY MAINTENANCE

- Electric part on left side, mechanics on right side, connections on the top : easy access, easy to connect,
- Central drain as standard,
- Technical menu: statistics, alarms, traceability...



OTHERS

- Pass-through barrier washer with 2 opposed doors,
- Panels in grey skinplate, top panel in stainless steel
- Drum and vat in AISI 304 stainless steel,
- Free standing: no need to be anchored to the floor,
- 3 water inlets,
- Ready to be connected to dosing pumps as standard,
- Imbalance electronic control with frequency inverter.

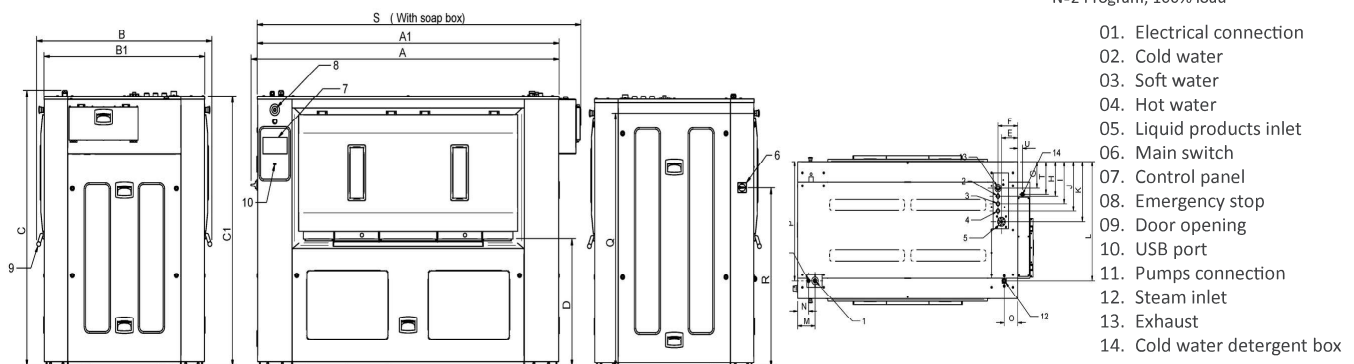


OPTIONS

- Automatic weighing system on feet.
- Relay card with 6 extra dosing signals: total of 14 signals.
- Stainless steel sanitary frame with rubber.
- 4 compartments detergent box kit.
- Second drain valve for water recovery.
- Double drain.
- Side drain valve.
- Titration valve.
- Plinths for loading height at 850 mm (door base).
- UPS kit to release drum brake in case of power failure.
- Low steam pressure (0,5 bar).
- Printer.
- Danube Online communication kit.
- Panels in AISI-304 stainless steel.
- Special voltages.

TECHNICAL DATA	UNIT.	DBW 70 ET2	
DRUM			
Capacity 1:9 / 1:10	Kg	78 / 70	
Volume	l	694	
Diameter	mm	800	
Depth	mm	1380	
Number of compartments	Nº.	2	
GENERAL DETAILS			
Washing speed / Spining speed	r.p.m.	45 / 920	
G Factor	-	375	
Maximum force transmitted	KN	5,24	
Frequency-dynamic force	Hz	15,4	
Sound level	dB	< 70	
Double drain	-	Opt	
Weighing System	-	Opt	
DOOR			
Height base door	mm	800	
Drum opening dimensions	mm	640 x 515 (x2)	
Vat opening dimensions	mm	1402 x 650 (x2)	
POWER			
Motor	kW	7,5	
Electric heating	kW	45	
Max. power (Electric model)	kW	52,5	
Max. power (Steam model)	kW	7,5	
CONNECTIONS		ELECTRIC / DUAL	STEAM
Tension 230V- I + N + T	Nº x mm2 / A	-	-
Tension 230V- III + T	Nº x mm2 / A	4 x 35 / 160A	4 x 2,5 / 16A
Tension 400V- III + N + T	Nº x mm2 / A	5 x 16 / 80A	5 x 2,5 / 10A
Steam inlet (Steam mod.)	inch	3/4"	
Max. steam consumption (Steam mod.)	Kg/h	34,2	
Water inlet	inch	1"	
Water main pressure	Kgs/cm ²	3-5	
Maximum water consumption*	Lit/h	720	
Drain	mm/inch	3"	
Drainage capacity	Lit/min	160	
DIMENSIONS / PACKING DIMENSIONS			
Width / Width	mm	2.061 / 2.310	
Depth / Depth	mm	1.098 / 1.300	
Height / Height	mm	1.580 / 1.730	
Net weight / Gross weight	kg	1.190 / 1.220	
Volume	m ³	1,65	

* N92 Program, 100% load



	A	B	C	A1	B1	C1	D	E	F	G	H	I	J	K	L	M	N	O	P	Q	R	S	T	U
DBW 70	2104	1196	1612	2061	1098	1581	745	152	185	212	277	337	397	482	956	163	103	126	956	1499	1059	2210	263	45

www.danube-international.com
www.danube.fr

